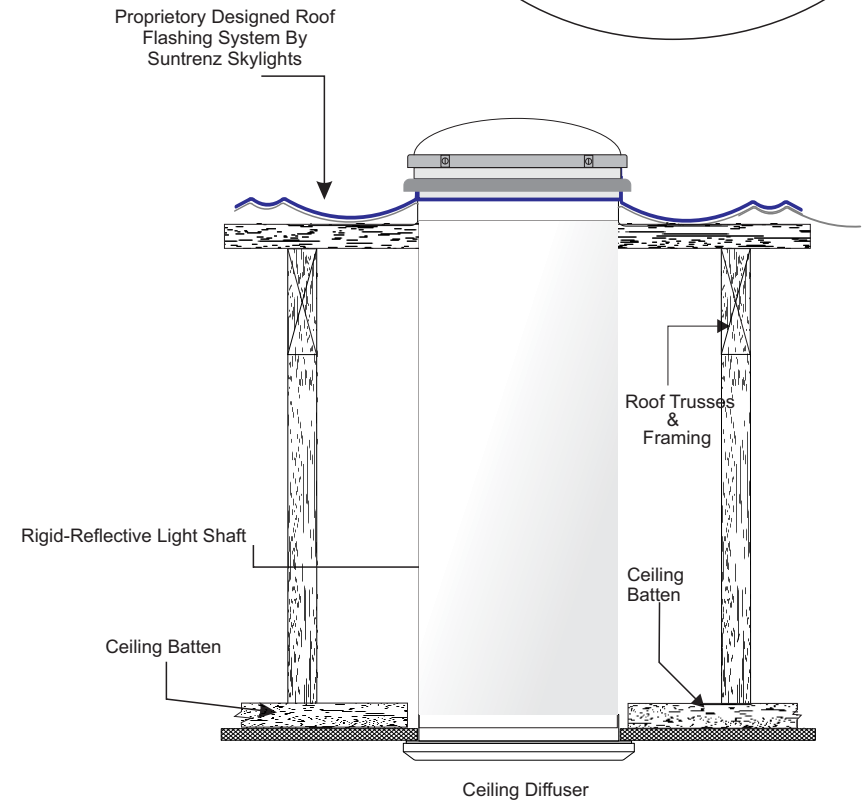
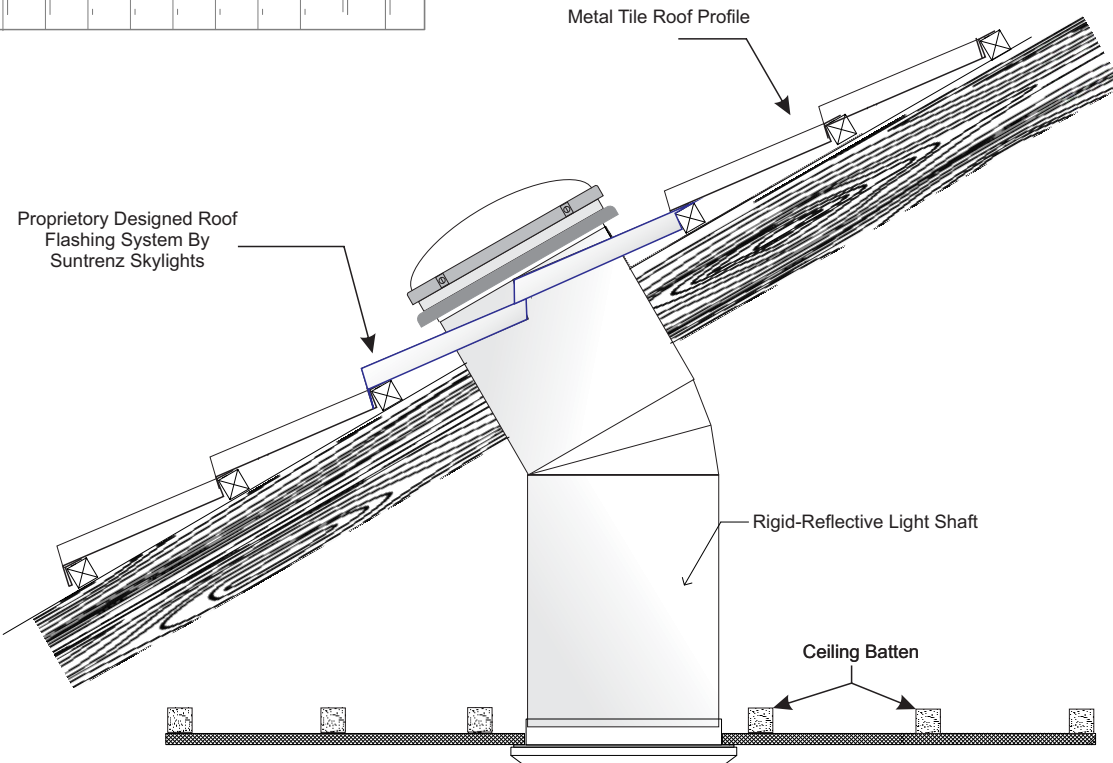
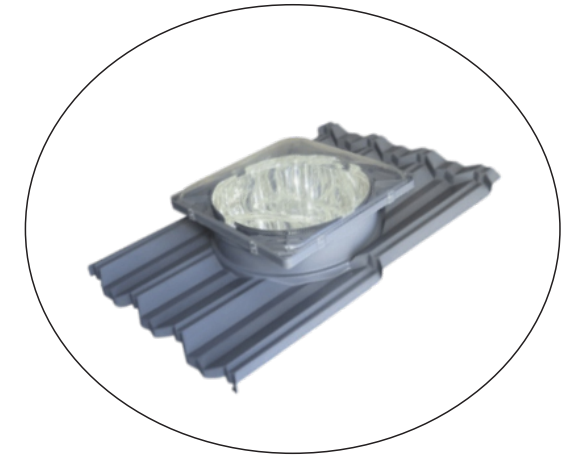
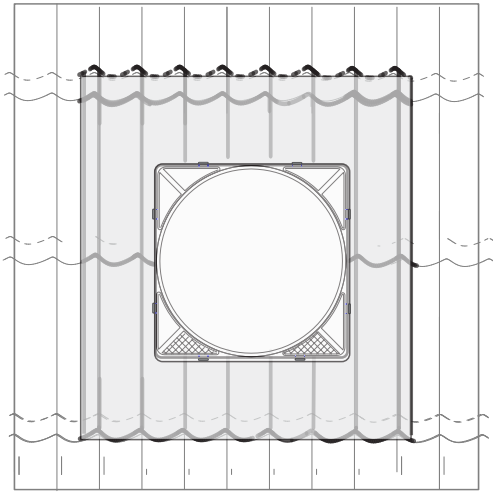


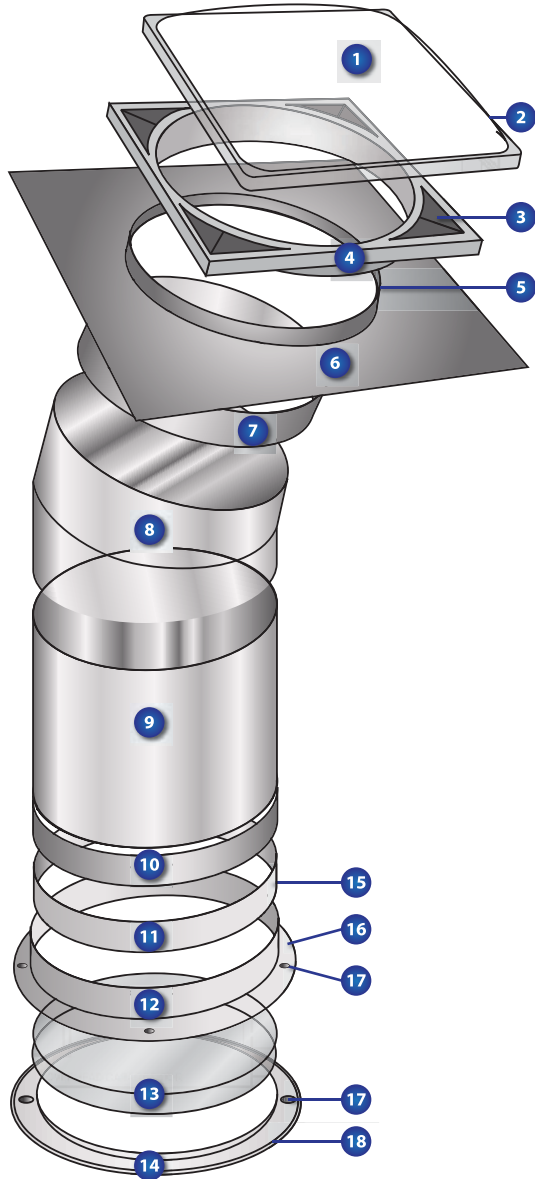
# Metal Tile Roof Gerrard Tuff Tile



**Suntrenz Suntube Proprietary Skylight System**

 Designed in New Zealand  Metal Tile Roof	Ph: 0508 777 222	<table border="1"> <tr> <td>Name</td> <td></td> <td>Date</td> </tr> <tr> <td>Drawn by</td> <td>K/B</td> <td>Jun-22</td> </tr> <tr> <td>Checked by</td> <td>K/B</td> <td>Jun-22</td> </tr> <tr> <td>Drawing No.</td> <td colspan="2">Metal Tile Roof - Gerrard</td> </tr> </table>	Name		Date	Drawn by	K/B	Jun-22	Checked by	K/B	Jun-22	Drawing No.	Metal Tile Roof - Gerrard	
	Name		Date											
	Drawn by	K/B	Jun-22											
Checked by	K/B	Jun-22												
Drawing No.	Metal Tile Roof - Gerrard													
Email: sales@suntrenz.co.nz														

## Suntube with Rigid98



- 1) **DOMES** – U.V. Stabilized Grade 1 Acrylic (Altuglas – HF17) or Specialised UV Grade Polycarbonate (Sabic SLX)
- 2) **SCREWS x 8** – to fasten Dome (Class 3 corrosion resistant).
- 3) **VENT/SOLID TABS** – ASA Polymer (Luran S 778 T).
- 4) **BREATHING FRAME** – ASA Polymer (Luran S 778 T).
- 5) **SEAL** – Construction Grade Polyurethane (Bostik Seal'N'Flex 1).
- 6) **SOAKER TRAY** – 0.55mm Corrosion Resistant Steel (Colorbond).
- 7) **UPPER RING** – Rigid98 (Miro Silver).
- 8) **ANGLE ADAPTOR: upto 45° or 90°** – Rigid98 (Miro Silver).
- 9) **RIGID LENGTHS: 625mm or 1250mm** – Rigid98 (Miro Silver).
- 10) **LOWER RING** – Rigid98 (Miro Silver).
- 11) **LOCKING RING** – White ABS Thermoplastic (BASF GP22).
- 12) **CEILING FRAME** – White ABS Thermoplastic (BASF GP22).
- 13) **DIFFUSERS x 2** – 3mm PMMA (Acrylic) with Seadrift texture.
- 14) **DIFFUSER HOLDER** – White ABS Thermoplastic (BASF GP22).
- 15) **SCREWS** – to retain Flexi-tube Locking Ring to Ceiling Frame.
- 16) **SCREWS** – to fasten Ceiling Frame, includes lock lug and cover cap.
- 17) **MAGNET** – N45 Grade / Rare Earth (Neodymium Iron Boron).
- 18) **FOAM SEAL** – 3mm x 6mm Foam.
- 19) **REFLECTIVE RING** – 0.45mm 430BA Stainless Steel.
- 20) **TAPE** – PVC Duct Tape (TESA 4050).
- 21) **FLEXI-TUBE** – Composite 3 layers including metalized polyester, aluminium foil and spring wire.

## Suntube with Flexi-Tube

